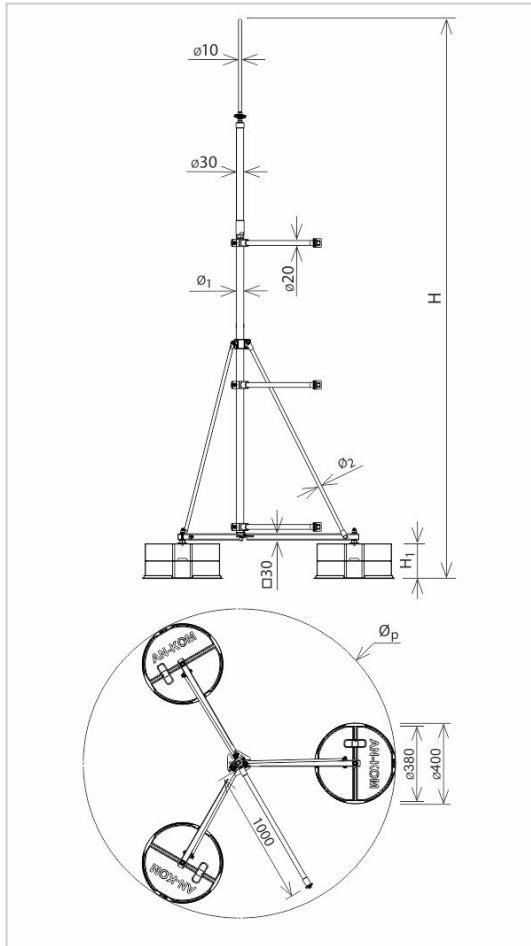


AIR TERMINATION RODS AIR TERMINAL MASTS air terminal masts

H196176



WERSJA MATERIAŁOWA:

hot galvanised steel

OPIS:

Free-standing masts with an air terminal on a tripod with bases. They are used to discharge the lightning current while maintaining the intrinsically safe distance, which is ensured by horizontal insulating rods.

| | |
|---|----------------------|
| symbol | H196176 |
| typ | AN-83A/OG/ |
| H(mm) | 4000 |
| base weight(kg) | 3 x 36 |
| Ø1 / Ø2(mm) | 33,7 / 12 |
| Øp / H1(mm) | 1950 / 70 |
| number of horizontal insulated rods(pcs) | 3 |
| wind resistance(km/h) | 158 |
| wersja materiałowa | hot galvanised steel |



AN-KOM 2 Sp. z o.o.
Inwałd, ul. ks. Władysława
Bukowińskiego 15
34-120 Andrychów



an-kom.pl
sales@an-kom.pl



tel./fax
+48 605 527 132