

Isolated air termination rods ACCESSORIES FOR HIGH VOLTAGE INSULATED  
CABLE high voltage cable routing holder

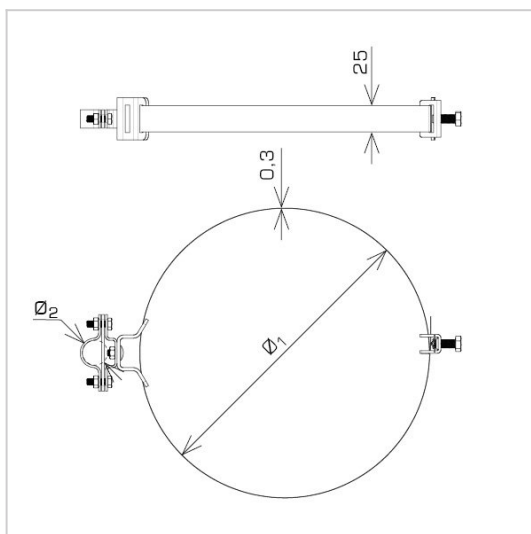
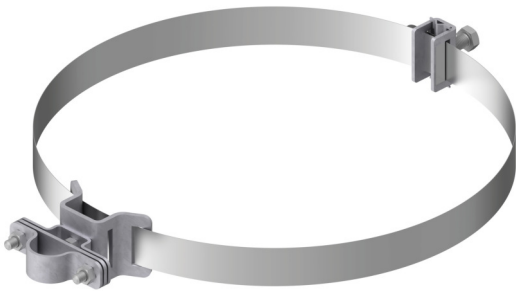
H196336

**WERSJA MATERIAŁOWA:**

hot galvanised steel

**OPIS:**

The holder is used for routing a PW high-voltage insulated cable along a round profile on a steel tape.



<b>symbol</b>	<b>H196336</b>
typ	AN-88W300/OG/
<b>Ø1(mm)</b>	200 - 300
<b>Ø2(mm)</b>	24
<b>screws</b>	M6 x 12 M8 x 12 M8 x 20
<b>wersja materiałowa</b>	hot galvanised steel



AN-KOM 2 Sp. z o.o.  
Inwałd, ul. ks. Władysława  
Bukowińskiego 15  
34-120 Andrychów



an-kom.pl  
sales@an-kom.pl



tel./fax  
+48 605 527 132