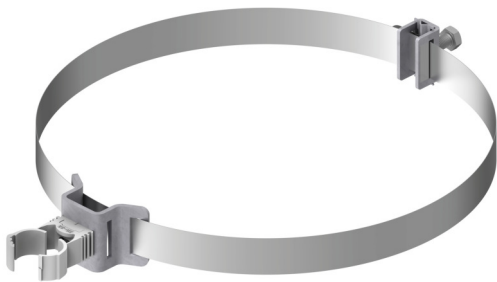


Isolated air termination rods ACCESSORIES FOR HIGH VOLTAGE INSULATED  
CABLE high voltage covered cable routing holder

H196348

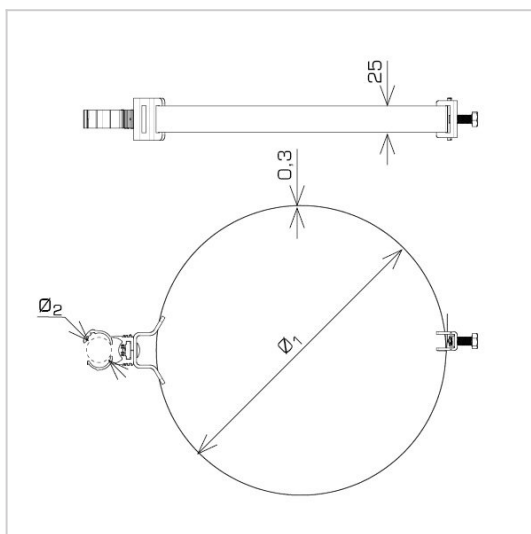


**WERSJA MATERIAŁOWA:**

hot galvanized steel

**OPIS:**

The holder is used for routing a PW high-voltage insulated cable along a round profile on a steel tape.



symbol	<b>H196348</b>
typ	AN-88Y300/OG/
Ø1(mm)	200 - 300
Ø2(mm)	24 - 28
screws	M6 x 12 M8 x 20
wersja materiałowa	hot galvanized steel



AN-KOM 2 Sp. z o.o.  
Inwałd, ul. ks. Władysława  
Bukowińskiego 15  
34-120 Andrychów



an-kom.pl  
sales@an-kom.pl



tel./fax  
+48 605 527 132