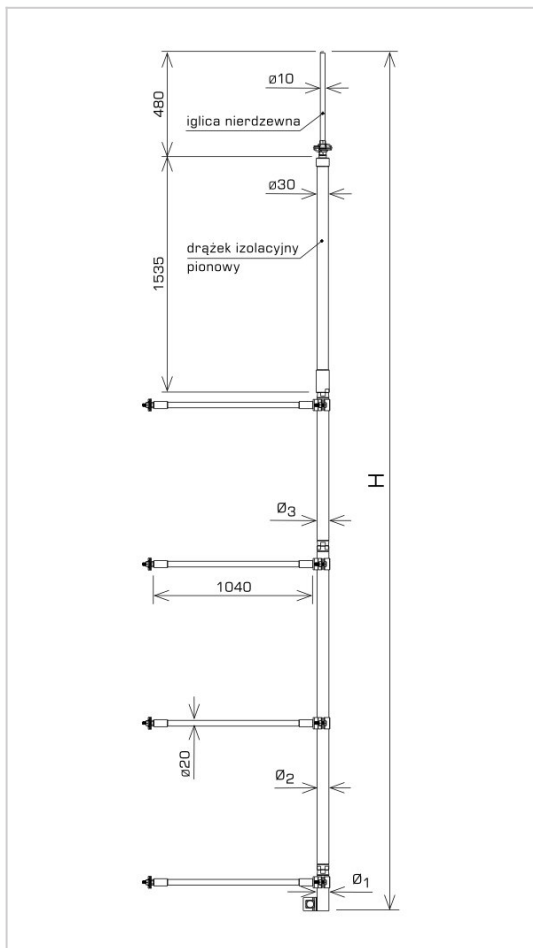


AIR TERMINATION RODS WALL MASTS wall masts with isolated air termination rods

H196384



WERSJA MATERIAŁOWA:

hot galvanised steel

OPIS:

Wall masts are used to protect devices on the roofs of buildings. The vertical insulator and the horizontal poles that isolate the flowing lightning current allow the mast to be screwed directly to the protected device. Offered in a set: stainless steel spire with a clamp, vertical insulator 1500mm, horizontal insulating bars, holders for horizontal bars, holders for the conductor carrying the lightning current from the mast spire.

THE SCHEME OF ASSEMBLY OF WALL MAST WITH AIR TERMINATION RODS

symbol typ	H196384 AN-89E/OG/
H(mm)	7000
Ø1 / Ø2 / Ø3(mm)	42,4 / 42,4 / ---
number of horizontal isolating rods(pcs)	6
conductor(mm)	Ø8 - Ø10
wersja materiałowa	hot galvanised steel



AN-KOM 2 Sp. z o.o.
Inwałd, ul. ks. Władysława
Bukowińskiego 15
34-120 Andrychów



an-kom.pl
sales@an-kom.pl



tel./fax
+48 605 527 132