

Isolated air termination rods ACCESSORIES FOR HIGH VOLTAGE INSULATED  
CABLE high voltage roof holder

H286101

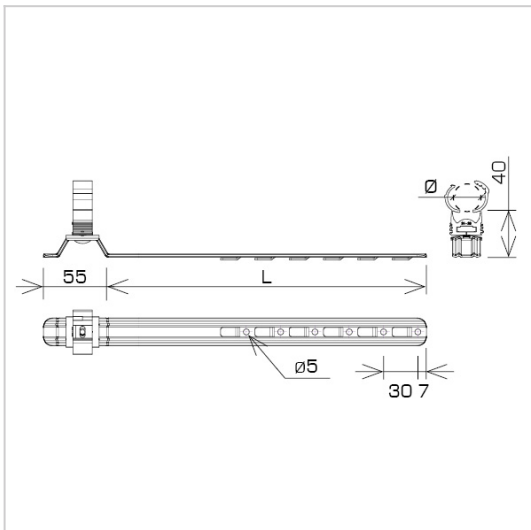


**WERSJA MATERIAŁOWA:**

stainless acid-resistant V4A steel

**OPIS:**

The PW roof holder is used to lead the conductor along or across the roof.



<b>symbol</b>	<b>H286101</b>
typ	AN-88GD/OH/
<b>Ø(mm)</b>	24 - 28
<b>L(mm)</b>	280
<b>wersja materiałowa</b>	stainless acid-resistant V4A steel



AN-KOM 2 Sp. z o.o.  
Inwałd, ul. ks. Władysława  
Bukowińskiego 15  
34-120 Andrychów



an-kom.pl  
sales@an-kom.pl



tel./fax  
+48 605 527 132