

Isolated air termination rods ACCESSORIES FOR HIGH VOLTAGE INSULATED
CABLE high voltage potential equalization clasp

H286268

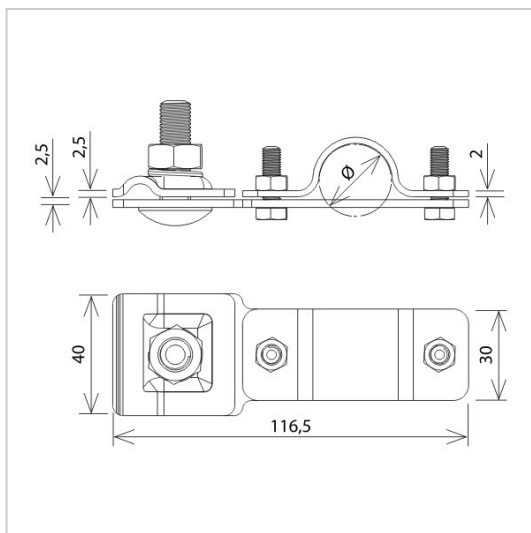


WERSJA MATERIAŁOWA:

stainless acid-resistant V4A steel

OPIS:

The potential equalization clasp for mounting on high-voltage insulated cable.



symbol typ	H286268 AN-88E/OH/
screws	M10 x 35 M6 x 20
Ø(mm)	24
wersja materiałowa	stainless acid-resistant V4A steel



AN-KOM 2 Sp. z o.o.
Inwałd, ul. ks. Władysława
Bukowińskiego 15
34-120 Andrychów



an-kom.pl
sales@an-kom.pl



tel./fax
+48 605 527 132