

Isolated air termination rods ACCESSORIES FOR HIGH VOLTAGE INSULATED
CABLE threaded cable end tip for high voltage insulated cable

H286432



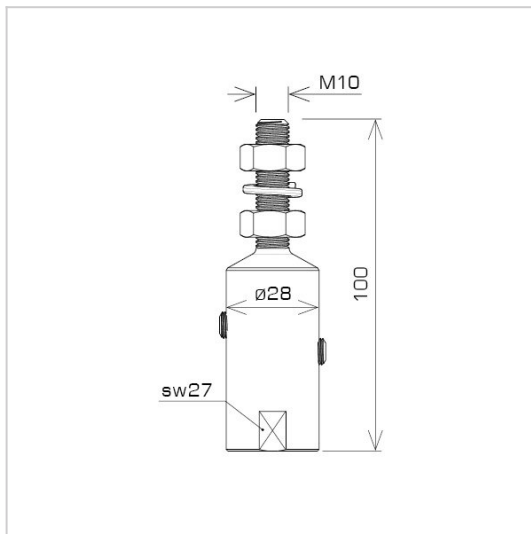
WERSJA MATERIAŁOWA:

stainless acid-resistant V4A steel

OPIS:

For terminating a cable in PW high-voltage insulation. The terminal enables the correct termination of the cable in order to connect it to the quad connector.

ASSEMBLY INSTRUCTIONS FOR PW TIPS



symbol	H286432
typ	AN-88AGW/OH/
screws	M8 x 10
wersja materiałowa	stainless acid-resistant V4A steel



AN-KOM 2 Sp. z o.o.
Inwałd, ul. ks. Władysława
Bukowińskiego 15
34-120 Andrychów



an-kom.pl
sales@an-kom.pl



tel./fax
+48 605 527 132