

AIR TERMINATION RODS CHIMNEY, RIDGE TILE AND PV SPIRES double ridge tile spires

H926085



WERSJA MATERIAŁOWA:

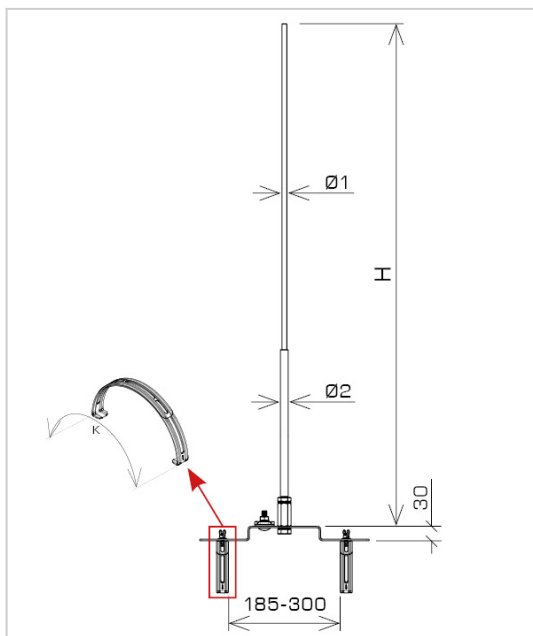
aluminium alloy

OPIS:

It is used for lightning protection of metal elements on the roof or devices such as PV panels, chimneys, air conditioners, skylights.

Mounted on the ridge tile with two handles. Equipped with a connector for connecting to the air terminal grid.

For safe installation, always make sure that the ridge tiles are permanently screwed to the ridge batten.



symbol typ	H926085 AN-90H/AL/
H(mm)	1500
K(mm)	245 - 415
Ø1 / Ø2(mm)	10 / 16
wersja materiałowa	aluminium alloy



AN-KOM 2 Sp. z o.o.
Inwałd, ul. ks. Władysława
Bukowińskiego 15
34-120 Andrychów



an-kom.pl
sales@an-kom.pl



tel./fax
+48 605 527 132