

AIR TERMINATION RODS CHIMNEY, RIDGE TILE AND PV SPIRES seam masts

H926089

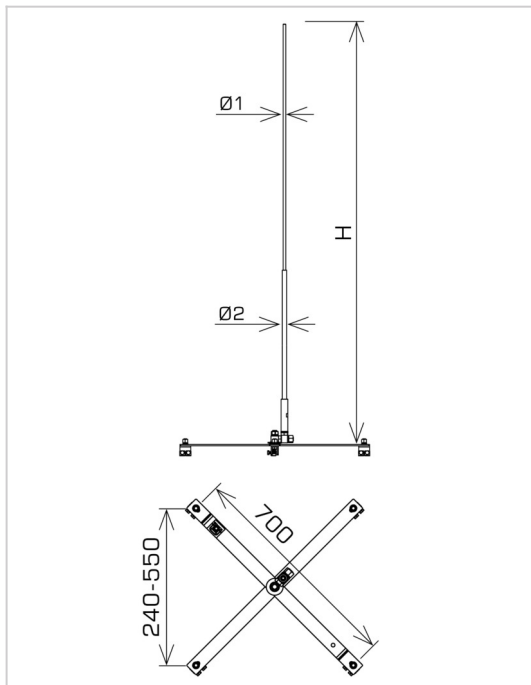


**WERSJA MATERIAŁOWA:**

aluminium alloy

**OPIS:**

The spire on the roof slope. It is used to protect devices such as PV panels, air vents, roof skylights. The non-invasive assembly allows you to securely mount the spire without interfering with the roof cover.



<b>symbol</b> typ	<b>H926089</b> AN-80BR/AL/
<b>H(mm)</b>	1500
<b>Ø1 / Ø2(mm)</b>	10 / 16
<b>wersja materiałowa</b>	aluminium alloy



AN-KOM 2 Sp. z o.o.  
Inwałd, ul. ks. Władysława  
Bukowińskiego 15  
34-120 Andrychów



an-kom.pl  
sales@an-kom.pl



tel./fax  
+48 605 527 132