

AIR TERMINATION RODS CHIMNEY, RIDGE TILE AND PV SPIRES roof top spire

H926105

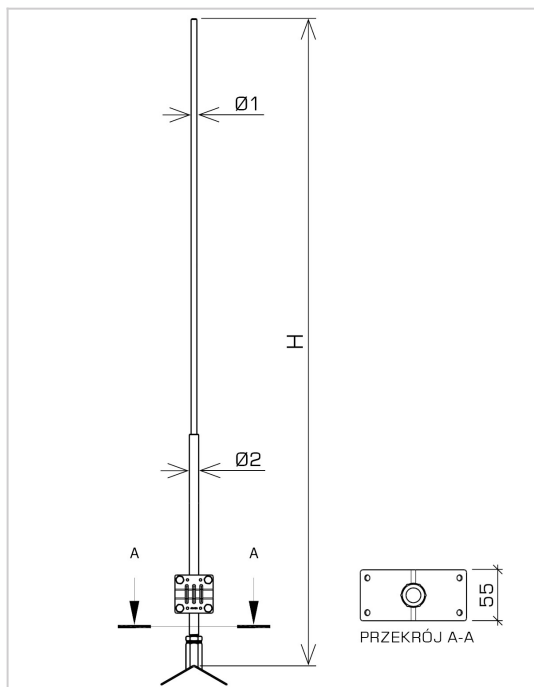


WERSJA MATERIAŁOWA:

aluminium alloy

OPIS:

The roof top spire is used for lightning protection of chimneys, PV panels, etc. on the roofs of buildings. Mounted on the roof ridge by screwing. Vertical spire made of aluminum, base made of stainless steel. The spire comes with a connector for connection to the ground wire.



symbol typ	H926105 AN-90K/AL/
H(mm)	1500
Ø1 / Ø2(mm)	10 / 16
wersja materiałowa	aluminium alloy



AN-KOM 2 Sp. z o.o.
Inwałd, ul. ks. Władysława
Bukowińskiego 15
34-120 Andrychów



an-kom.pl
sales@an-kom.pl



tel./fax
+48 605 527 132