

**AIR TERMINATION RODS CHIMNEY, RIDGE TILE AND PV SPIRES double ridge tile spires**

**H926109**



**WERSJA MATERIAŁOWA:**

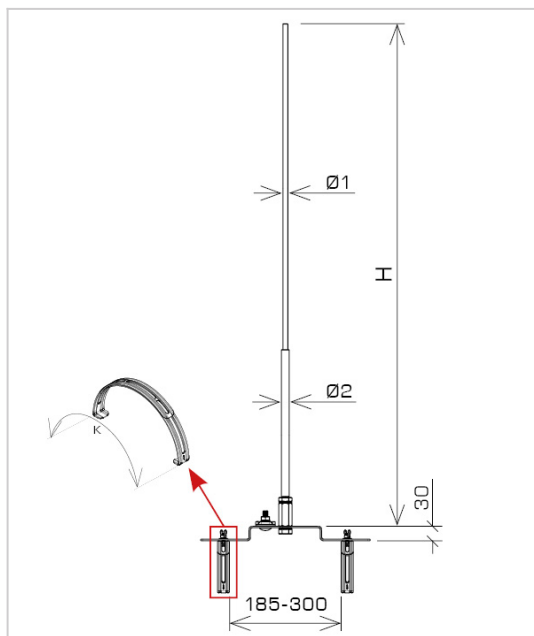
aluminium alloy

**OPIS:**

It is used for lightning protection of metal elements on the roof or devices such as PV panels, chimneys, air conditioners, skylights.

Mounted on the ridge tile with two handles. Equipped with a connector for connecting to the air terminal grid.

For safe installation, always make sure that the ridge tiles are permanently screwed to the ridge batten.



<b>symbol</b> typ	<b>H926109</b> AN-90I/AL/
<b>H(mm)</b>	1000
<b>K(mm)</b>	245 - 415
<b>Ø1 / Ø2(mm)</b>	10 / ---
<b>wersja materiałowa</b>	aluminium alloy



AN-KOM 2 Sp. z o.o.  
Inwałd, ul. ks. Władysława  
Bukowińskiego 15  
34-120 Andrychów



an-kom.pl  
sales@an-kom.pl



tel./fax  
+48 605 527 132