

AIR TERMINATION RODS CHIMNEY, RIDGE TILE AND PV SPIRES PV protection spire

H926125

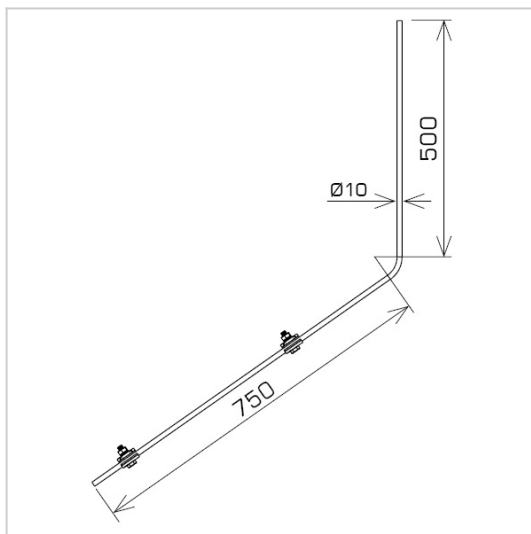


WERSJA MATERIAŁOWA:

aluminium alloy

OPIS:

The spire for protection of PV installations. Mounted to the substructure. It is supplied with two holders. The spire creates a protected space for lightning protection, e.g. of photovoltaic cells.



symbol typ	H926125 AN-90L/AL/
conductor(mm)	Ø8
wersja materiałowa	aluminium alloy



AN-KOM 2 Sp. z o.o.
Inwałd, ul. ks. Władysława
Bukowińskiego 15
34-120 Andrychów



an-kom.pl
sales@an-kom.pl



tel./fax
+48 605 527 132