

Isolated air termination rods ISOLATING RODS type 6 holder

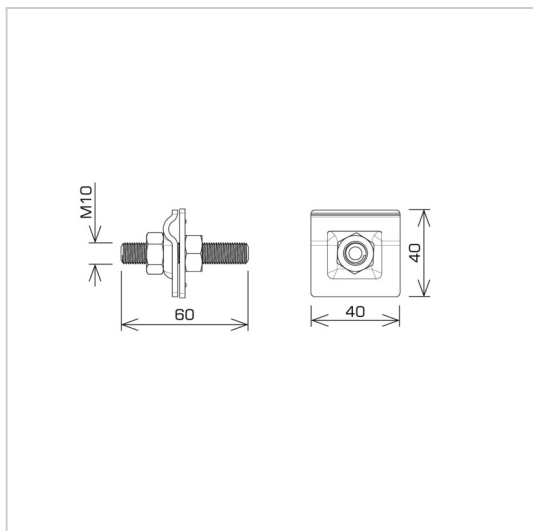
J196556

WERSJA MATERIAŁOWA:

hot galvanised steel

OPIS:

The holder is attached to one of the ends of the horizontal insulating stick. The catch allows for guiding and fixing the lightning conductor at the ends of horizontal isolated rods.



symbol typ	J196556 AN-83U/OG/
conductor(mm)	Ø8 - Ø10
wersja materiałowa	hot galvanised steel



AN-KOM 2 Sp. z o.o.
Inwałd, ul. ks. Władysława
Bukowińskiego 15
34-120 Andrychów



an-kom.pl
sales@an-kom.pl



tel./fax
+48 605 527 132