

Isolated air termination rods ISOLATING RODS type 4a holder

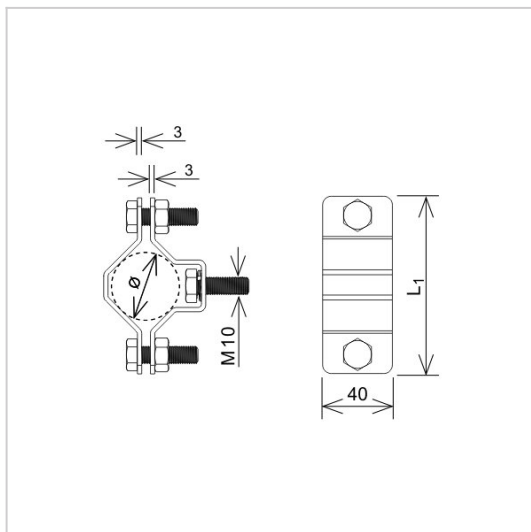
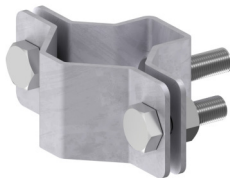
J196648

**WERSJA MATERIAŁOWA:**

hot galvanised steel

**OPIS:**

Holder with articulated clamp for screwing horizontal isolated rod. The catch is attached to the supporting pipe of the mast, while the horizontal insulating bar is mounted to the protruding thread.



<b>symbol</b>	<b>J196648</b>
typ	AN-85B40/OG/
<b>Ø(mm)</b>	30 - 40
<b>L1(mm)</b>	90
<b>screws</b>	M10 x 35
<b>wersja materiałowa</b>	hot galvanised steel



AN-KOM 2 Sp. z o.o.  
Inwałd, ul. ks. Władysława  
Bukowińskiego 15  
34-120 Andrychów



an-kom.pl  
sales@an-kom.pl



tel./fax  
+48 605 527 132