

Isolated air termination rods ISOLATING RODS horizontal isolating rod

J286512

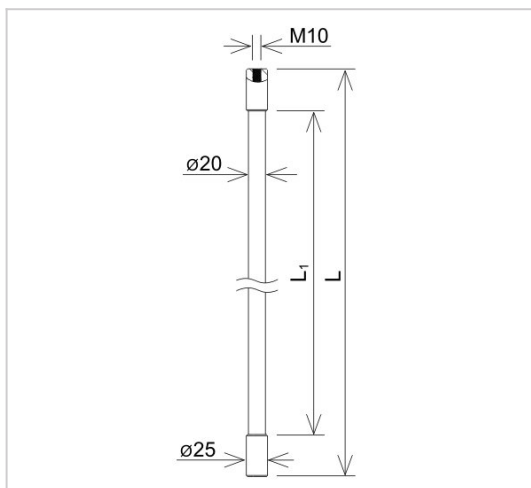


WERSJA MATERIAŁOWA:

stainless acid-resistant V4A steel

OPIS:

The horizontal isolating rod is made of plastic with very good electrical and mechanical properties. Steel fittings allow the installation of a 500 or 1000 mm spire and a supporting pipe.



symbol	J286512
typ	AN-83G/OH/
L(mm)	790
L1(mm)	690
wersja materiałowa	stainless acid-resistant V4A steel



AN-KOM 2 Sp. z o.o.
 Inwałd, ul. ks. Władysława
 Bukowińskiego 15
 34-120 Andrychów



an-kom.pl
 sales@an-kom.pl



tel./fax
 +48 605 527 132