

Isolated air termination rods ISOLATING RODS horizontal isolating rod

J286520

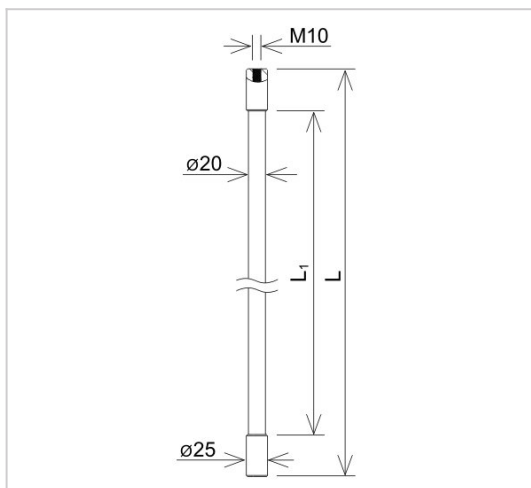


WERSJA MATERIAŁOWA:

stainless acid-resistant V4A steel

OPIS:

The horizontal isolating rod is made of plastic with very good electrical and mechanical properties. Steel fittings allow the installation of a 500 or 1000 mm spire and a supporting pipe.



symbol	J286520
typ	AN-83I/OH/
L(mm)	1540
L1(mm)	1440
wersja materiałowa	stainless acid-resistant V4A steel



AN-KOM 2 Sp. z o.o.
Inwałd, ul. ks. Władysława
Bukowińskiego 15
34-120 Andrychów



an-kom.pl
sales@an-kom.pl



tel./fax
+48 605 527 132