

Isolated air termination rods ISOLATING RODS stainless spire

J286572

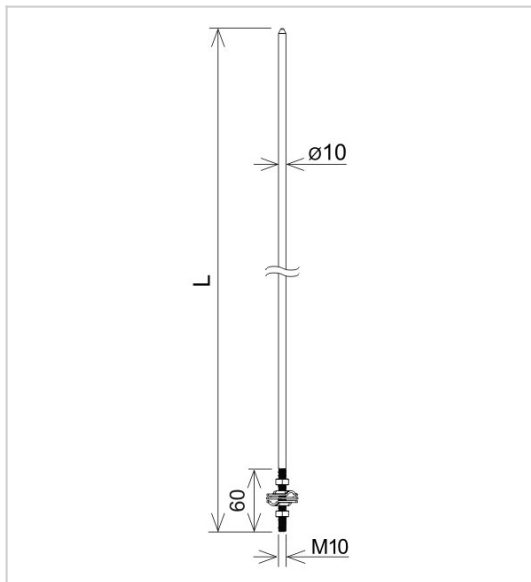


WERSJA MATERIAŁOWA:

stainless acid-resistant V4A steel

OPIS:

Insulated mast end spire. A three-plate connector screwed with two screws enables the connection of a round ground wire.



symbol typ	J286572 AN-83ZB/OH/
L(mm)	1000
conductor(mm)	Ø8 - Ø10
wersja materiałowa	stainless acid-resistant V4A steel



AN-KOM 2 Sp. z o.o.
 Inwałd, ul. ks. Władysława
 Bukowińskiego 15
 34-120 Andrychów



an-kom.pl
 sales@an-kom.pl



tel./fax
 +48 605 527 132