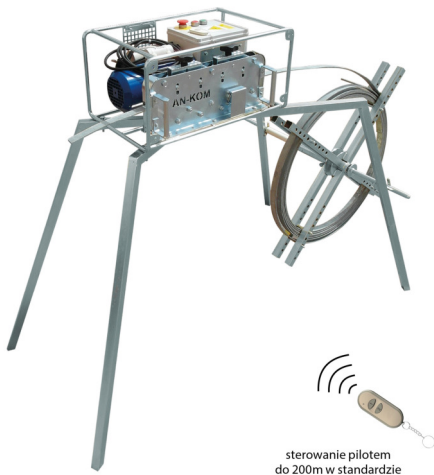


Straighteners ELECTRIC DRIVE electric straightener

K947048

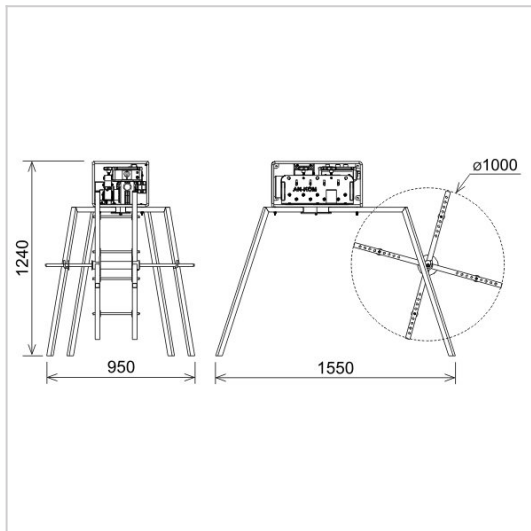


**WERSJA MATERIAŁOWA:**

electro-galvanised steel

**OPIS:**

Set - electric straightener with horizontal pulley K947028. It is used to straighten wire and tape conductor holder.



<b>symbol</b>	<b>K947048</b>
typ	PRE06
<b>conductors(mm)</b>	Ø8 or B* to 30 *B - maximum tape conductor width
<b>rated voltage(V)</b>	230
<b>weight(kg)</b>	~58
<b>wersja materiałowa</b>	electro-galvanised steel



AN-KOM 2 Sp. z o.o.  
 Inwałd, ul. ks. Władysława  
 Bukowińskiego 15  
 34-120 Andrychów



an-kom.pl  
 sales@an-kom.pl



tel./fax  
 +48 605 527 132