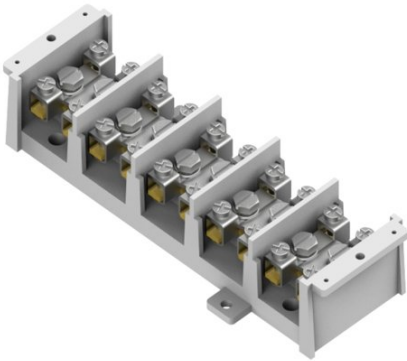


Terminal strips POWER LZG power LZG strip

R739576



WERSJA MATERIAŁOWA:

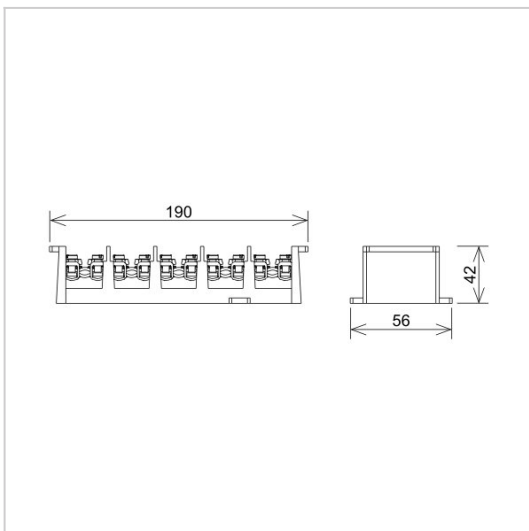
plastic/brass

OPIS:

Five-way branch terminal strip for connecting wires in switchgears and boxes. It should be mounted with mounting screws.

The product complies with the standard:

PN-EN - 60998-2-1



symbol typ	R739576 LZG3501
qty x cross-section	5 x 35 mm ² 20 x 16 mm ²
voltage insulation[V]	650
base colour	gray
wersja materiałowa	plastic/brass



AN-KOM 2 Sp. z o.o.
 Inwałd, ul. ks. Władysława
 Bukowińskiego 15
 34-120 Andrychów



an-kom.pl
 sales@an-kom.pl



tel./fax
 +48 605 527 132